

SPECIFICATION

FOR APPRONAL

Customer : _____

Product Name : Horn Speaker _____

Model Name : VSH-59R4F14P15L400 _____

Drawing No. : VS20241219008 _____

Signature of Voise

Approved by	Checkde by	Issued by	Date

 福爱斯电子有限公司
VOISE ELECTRONICS CO.,LTD.

Address:No 96 Mogao Dongqian Lake Industrial Area ningbo,China,
Tel:0086-0574-87773030;Fax:0086-0574-87471600 P.C.315121
<http://www.nbvoise.com> Email:sales@nbvoise.com

Specification for Horn Speaker		Page	3/6	
		Revision No.	1.0	
Model No.:	VSH-59R4F14P15L400		Drawing No.	VS20241219008

2. Scope

This product specification is applied to the Siren in alarm systems. Please contact us when using this product for any other applications than described in the above.

3. General Characteristics

- 3.1 Out-Diameter : 58x58 mm
- 3.2 Height : 70 mm
- 3.3 Weight : 160 g
- 3.4 Operating Temperature : -20~+60°C without loss of function
- 3.5 Store Temperature : -30~+70°C without loss of function

4. Electrical and Acoustic Characteristics.

Test condition : 15 ~ 35 °C Temp., 25% ~ 75% RH, 86~106 kPa Refer to IEC60268-1

No	Items	Specification
1	Rated Rating RMS	15W
2	Power Rating Peak	20W
3	Min Sound Pressure Level	105dB at 1M/1W
4	Resonant Frequency	1.4kHz±20%
5	Rated Frequency Range	500-5500Hz
6	Voice Coil Impedance	4Ω±15% 1Vrms at 2kHz
7	Voice Coil Size	Ø25.4mm
8	Housing Material/Color	ABS/Black
9	Magnet Size	Ø45xØ22x8mm; Ferrite

Specification for Horn Speaker		Page	4/6
		Revision No.	1.0
Model No.:	VSH-59R4F14P15L400	Drawing No.	VS20241219008

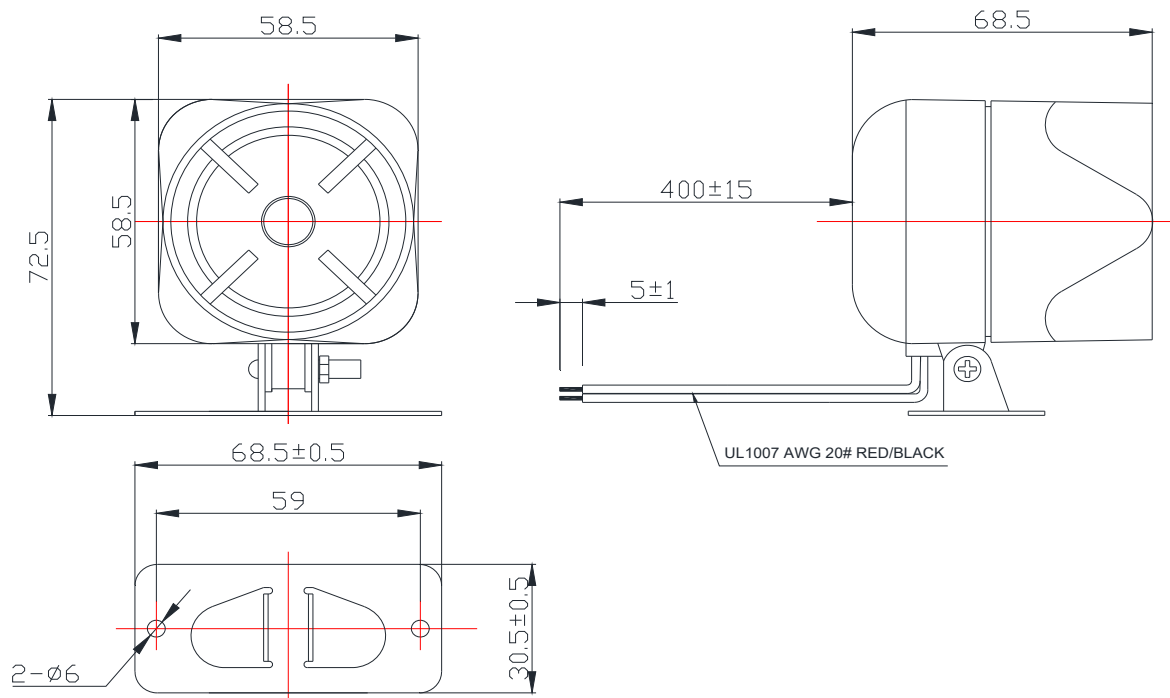
5. Reliability Test

After test(1~6item), the buzzer S.P.L . difference shall be within $\pm 8\text{dB}$, and the appearance not exist any change to be harmful to normal operation

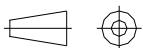
No	Items	Specification
1	High Temp.Test	After being woked in a chamber with $+60\pm 2\text{ }^\circ\text{C}$ for 2h and then being placed in natural condition for 2h, and then check.
2	Low Temp.Test	First being worked in a chamber with $-20\pm 2\text{ }^\circ\text{C}$ for 2h and then being placed in natural condtion for 2h, and then check.
3	Humidity Test	After being placed in a chamber with 90 to 95%R.H. at $+40\pm 2\text{ }^\circ\text{C}$ for 2 h and then being placed in natural condition for 2h ,and then check.
4	Shock Test	Under acceleration of peak $100\text{m/s}^2(10\text{g})$ & half sine wave pulse(pulse time is 16ms) condition. Run into product 1000 times continuously.
5	Vibration Test	Being applied vibration of amplitude of 1.5mm with 10-30Hz band of vibration frequency,X.Y.Z.3 direction.2 hours each, total 6 hours.
6	Drop Test	Free drop fram 0.5 meter height to a board 20mm thick hard wood board. and be nothing mechanical damage. tatol 6 times.

Specification for Horn Speaker		Page	5/6
		Revision No.	1.0
Model No.:	VSH-59R4F14P15L400	Drawing No.	VS20241219008

6. Dimensions



FIRST ANGLE PROJECTION



UNIT : mm

Tolerance : ±0.2

Specification for Horn Speaker		Page	6/6
		Revision No.	1.0
Model No.:	VSH-59R4F14P15L400	Drawing No.	VS20241219008

7. Packing

Each minimum package unit of products shall be in a carton box and it shall be clearly marked with Part Number ,quantity and outgoing inspection number.

There shall be no mechanical damage on products during in storage.