

SPECIFICATION

FOR APPRONAL

Customer : _____

Product Name : Horn Speaker _____

Model Name : VSH-102T-8 _____

Drawing No. : VS20250110009 _____

Signature of Voise

Approved by	Checkde by	Issued by	Date

Voise 福爱斯电子有限公司
ELECTRONIC VOISE ELECTRONICS CO.,LTD.

Address:No 96 Mogao Dongqian Lake Industrial Area ningbo,China,
Tel:0086-0574-87773030;Fax:0086-0574-87471600 P.C.315121
<http://www.nbvoise.com> Email:sales@nbvoise.com

Horn Speaker		Page	2/3
Model No.:	VSH-102T-8	Revision No.	1.0
		Drawing No.	VS20250110009

2. Scope

This product specification is applied to the Siren in alarm systems. Please contact us when using this product for any other applications than described in the above.

3. General Characteristics

- 3.1 Out-Diameter : 102 mm
- 3.2 Height : 114 mm
- 3.3 Weight : 360 g
- 3.4 Operating Temperature : -20~+60°C without loss of function
- 3.5 Store Temperature : -30~+70°C without loss of function

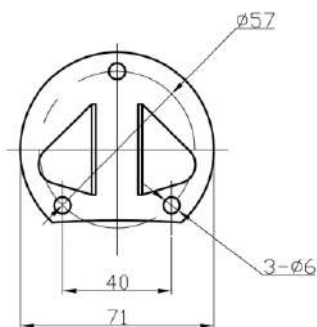
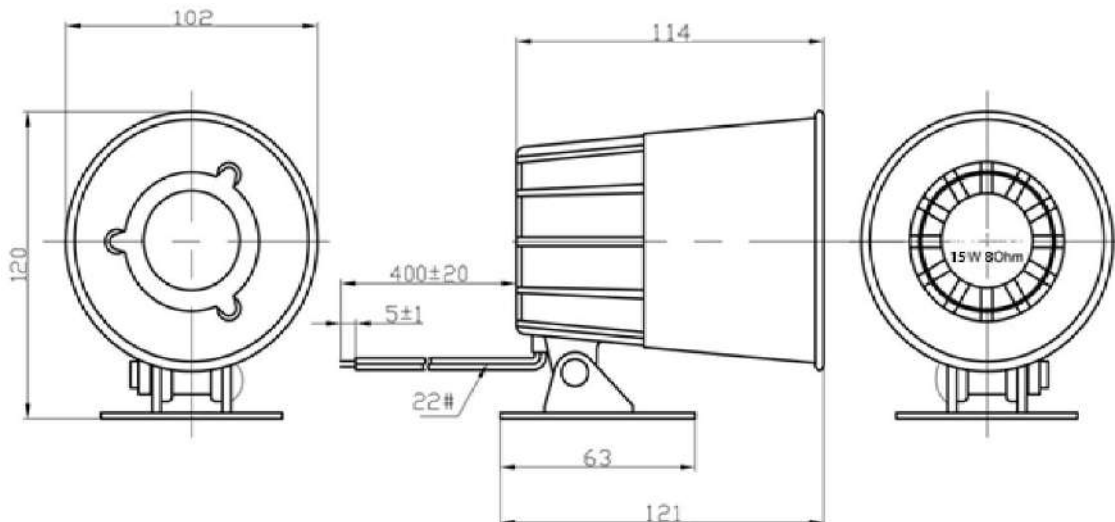
4. Electrical and Acoustic Characteristics.

Test condition : 15 ~ 35 °C Temp., 25% ~ 75% RH, 86~106 kPa Refer to IEC60268-1

No	Items	Specification
1	Rated Rating RMS	15W
2	Power Rating Peak	20W
3	Sound Preesure Level	105dB ±3dB at 1M/1W 1kHz
4	Resonant Frequency	950Hz±10%
5	Rated Frequency Range	400-5000Hz
6	Voice Coil Impedance	8Ω±15% 1Vrms at 2kHz
7	Voice Coil Size	Ø25.4mm
8	Housing Material/Color	ABS/Black
9	Magnet Size	Ø60xØ32x10mm; Ferrite
10	Housing Material/Color	ABS/White
11	Waterproof	IP43

Horn Speaker		Page	3/3
		Revision No.	1.0
Model No.:	VSH-102T-8	Drawing No.	VS20250110009

5. Dimensions



FIRST ANGLE PROJECTION



UNIT : mm

Tolerance : ±0.2