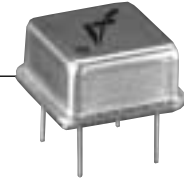


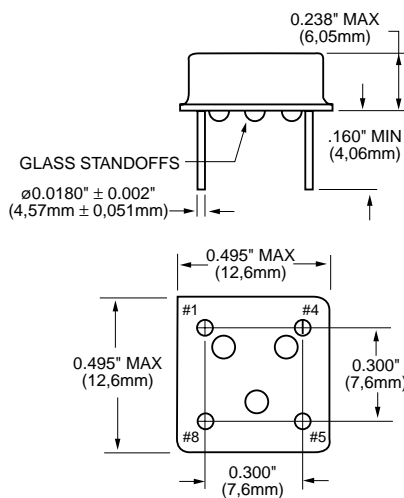
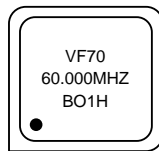
VF70



HCMOS/TTL Compatible Half Size Crystal Clock Oscillators

FEATURES

- Tristate Output Available
- Low Cost
- Industrial and Military Temperature Available
- Wide Frequency Range
- Very Low Phase Jitter



All dimensions are typical unless otherwise specified.

Creating a Part Number

VF70 [] [] [] [] - [] [] [] [] - **FREQ.**

FREQUENCY STABILITY	
Code	Specification
S	±20 ppm
A	±25 ppm
B	±50 ppm
	±100 ppm (std.)
C	±500 ppm

DUTY CYCLE	
Code	Specification
	±5%
H	±10% (std.)

INPUT VOLTAGE	
Code	Specification
L	3.3 Volt ±5%
	5.0 Volt ±5% (std.)

LEAD CONFIGURATION	
Code	Specification
GR	Gull Wing
G	Gull Wing
	Through Hole (std.)

OUTPUT	
Code	Specification
T	Tristate
	Non-tristate

OPERATIONAL TEMP. RANGE	
Code	Specification
	0°C to +70°C (std.)
1	-40°C to +85°C
2	-55°C to +125°C*

*Not always available

Example: VF70BL-1.8432MHz: Frequency Stability ±50ppm, Duty Cycle ±10%, Input Voltage 3.3 Volt ±5%, Operating Temperature -40°C to +85°C, Output Non-Tristate, Lead Configuration Straight, Frequency 1.8432MHz.

		Parameter	Symb	Condition	Min	Typ	Max	Unit	Note
Absolute Max. Ratings	Input Break Down Voltage	V _{cc}			-0.5		7.0	V	
	Storage Temp.	T _s			-55		+125	°C	
	Frequency	F			0.25		100	MHz	
Electrical	Frequency Stability	ΔF/F	Overall conditions including: calibration, temp., aging 10 yrs, shock, vibration				±100	ppm	1
	Input Voltage	V _{cc}			4.75 3.15	5.00 3.30	5.25 3.45	V	Std. LV Opt.
	Input Current	I _{cc}	No load				60	mA	2
	Load	10 TTL gates							
	Duty Cycle		@1.4V		40	50	60	%	3
	Rise/Fall Time	T _r /T _f					6	ns	f>60MHz
	Logic "1" Level	V _{oh}	MAX Load		2.4			V	
	Logic "0" Level	V _{ol}	MAX Load				0.4	V	
	Start-up Time	T _s				2	10	ms	
	Phase Jitter		1σ				1	ps	f _j >1KHz
	Tristate Function	Input HIGH (>2.5V) or floating: ACTIVE Input LOW (<0.5V): INFINITE IMPEDANCE							
	Enable/Disable Time	T _e /T _d					100	ns	4
Environmental and Mechanical	Operating Temperature Range	0°C to +70°C (-40°C to +85°C, and -55°C to +125°C available)							
	Mechanical Shock	Per MIL-STD-202, Method 213, Cond. E							
	Thermal Shock	Per MIL-STD-883, Method 1011, Cond. A							
	Vibration	Per MIL-STD-883, Method 2007, Cond. A							
	Soldering Conditions	260°C, for 10s, Max.							
	Hermetic Seal	Leak rate less than 5 x 10 ⁻⁸ atm.cc/s of helium							
	Pin Out	Pin #1-NC or Tristate Control		Pin #4-Ground, Case Pin #8-V _{cc}					
Electrical Connections	Pin #2-NC or Tristate Control		Pin #3-Output						

Notes:

1. Standard frequency stability (±20, ±25, ±50, others available).
2. Current is load and frequency dependent.
3. ±5%, duty cycle available.
4. Tristate available.

All specifications are subject to change without notice.