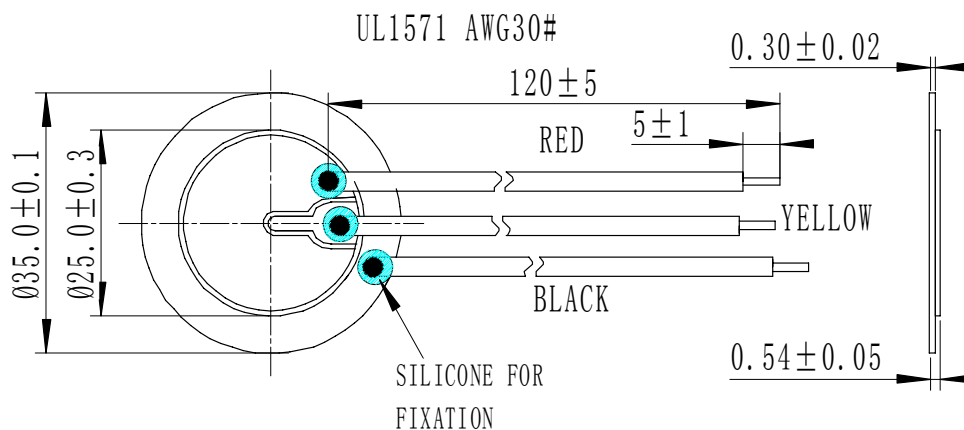


PIEZO ELEMENT SPECIFICATIONS

1.MODEL: AW2E35T-28S1L4Z

Item	Unit	Standard	(Test condition): T=25°C
(1)Resonant frequency	kHz	2.8±0.3	PV70A (with wires)
(2)Main electrostatic capacity	pF	24000±30%	Digital electric bridge At 1000Hz/1V
(3)Feedback electrostatic capacity	pF	2600±30%	Digital electric bridge At 1000Hz/1V
(4)Resonant impedance	Ω	800 MAX.	PV70A (with wires)
(5)Resonant impedance	Ω
(6)Metal plate material	...	Brass	
(7)Metal plate diameter	mm	35.0±0.1	Vernier caliper
(8)Metal plate thickness	mm	0.30±0.02	Micrometer
(9)Ceramic diameter	mm	25.0±0.3	Vernier caliper
(10)Total height	mm	0.54±0.05	Micrometer
(11)Insulation resistance	MΩ	100 MIN.	Insulation resistance tester At 50V
(12)Maximum input voltage	Vp-p	30	...
(13)Operating temperature range	°C	-20 to +70	...
(14)Storage temperature range	°C	-30 to +80	...
(15)Lead wires	...	UL1571 AWG30#	...

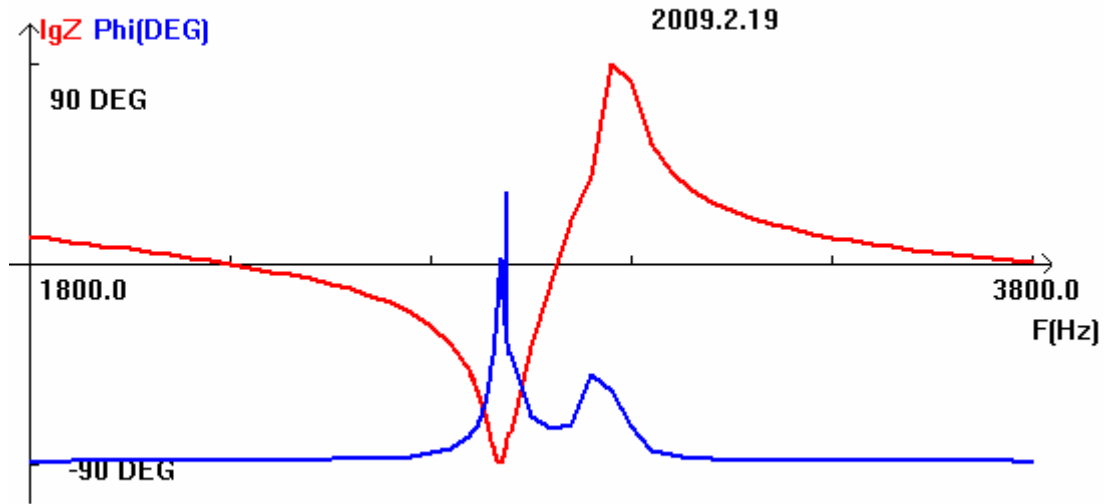
2、 APPEARANCE AND DIMENSIONS：



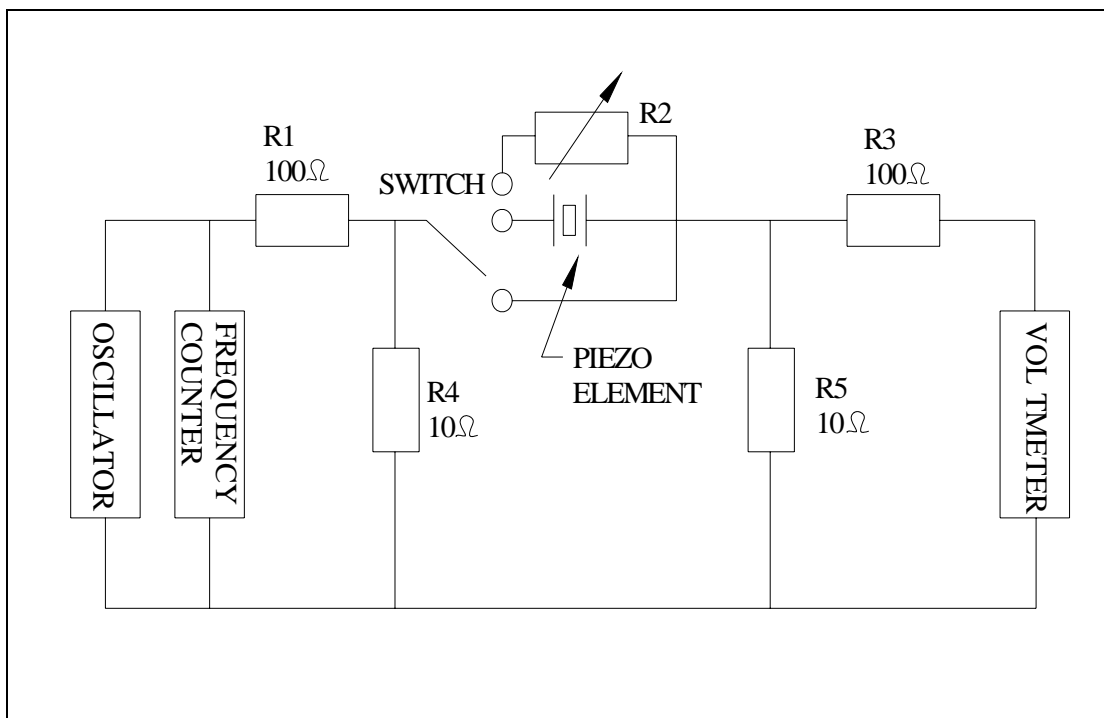
Remark: The Pb in ceramic is exempt, other ingredients are all ROHS compliant

3、TYPICAL FREQUENCY RESPONSE CURVE

对数坐标图 [28S1L2Z]



The node held with a measuring terminal, the resonant frequency and resonant impedance are measured in the constant-voltage circuit.





5、修订记录(revision history)

文件修订记录 File revision history			
修订时间 Revsion time	修订版本 Version of revision	内部 ECR 编号 The number of ECR	修订内容 Contents of revision
2014.8.22	A1		

制作/日期 Accomplished by / Date		确认/日期 Approved by / Date	
---------------------------------	--	-----------------------------	--