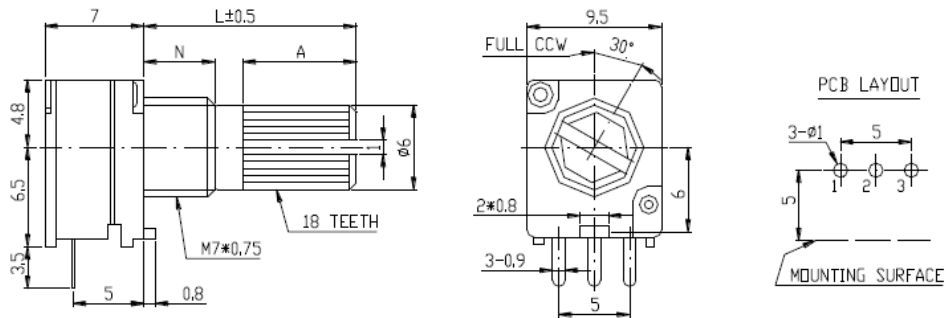
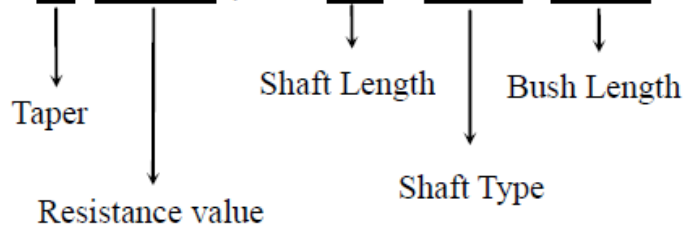




9mm Metal Shaft Rotary Potentiometer

Part Number

RK0971- B 50K , L- 20 KC / N=5

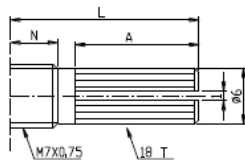


CIRCUIT



Shaft Type

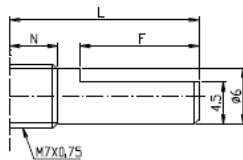
KC Type



N=5mm			
L	10KC	12.5KC	15KC 20KC
A	4	7	7 12

N=7mm		
L	15KC	20KC 25KC
A	7	12 12

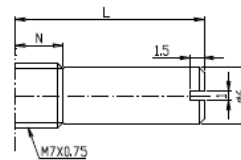
F Type



N=5mm		
L	15F	20F
F	7	12

N=7mm			
L	15F	20F	25F
F	7	12	12

RE Type



N=5mm		
L	8RE	10RE 15RE

N=7mm	
L	15RE

9mm Metal Shaft Rotary Potentiometer

General

Operating temperature	-10 °C ~ +70 °C
Manual soldering	260 °C Max 3sec

Electrical Characteristics

Total resistance	1K Ω ~ 500K Ω
Resistance tolerance	$\pm 20\%$
Resistance taper	A B C W
Sliding noise	Less than 68 mV
Residual resistance	Less than 20 Ω
Insulation resistance	More than 100M Ω at DC 250V
Rated power(W)	0.05W
Max. Operating voltage	50V AC
Withstand voltage	1 Minute at AC 300 V

Mechanical Characteristics

Total rotational angle	300° \pm 5°
Rotational torque	20 ~ 250 gf.cm
CC torque	<input type="checkbox"/> 50 ~ 150 gf.cm
Rotational stopper strength	4Kgf.cm Max
Shaft push-pull strength	10Kgf.cm Max
Rotational life	10,000 cycles