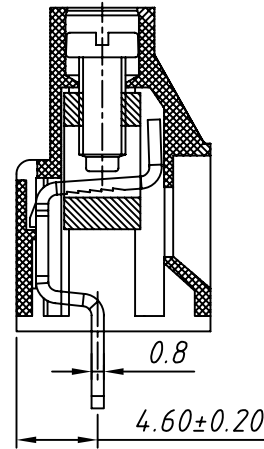
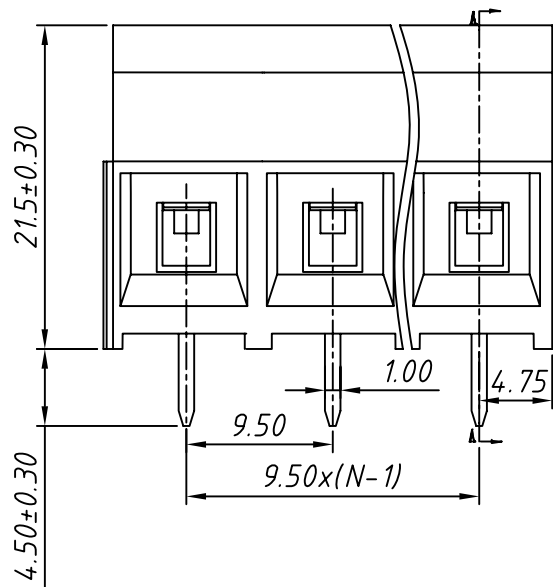


PCB LAYOUT



SECTION A-A

Material

Screw: M3.0, steel, Zn plated

Cage: Brass, Nickel plated

Pin header: Brass, Tin plated

Housing: PA66, UL94V-0, Green

Electrical

Rated voltage: 300V

Rated current: 30A

Wire range: 24 ~ 10AWG 4mm²

Contact Resistance: 20 mΩ

Insulation resistance: 500MΩ/DC1000V

Withstand voltage: AC2000V / 1 min

Mechanical

Temp. Range: -40 °C ~ +105 °C

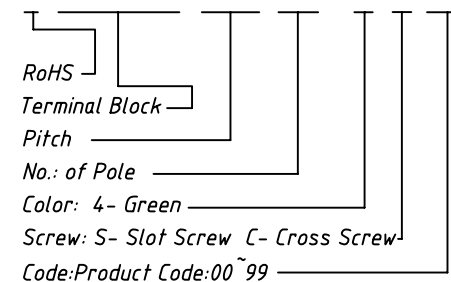
Soldering: 250 °C 5Sec. Max.

Torque: 0.5 Nm (4.43 Lb.) in

Strip length: 6 ~ 7 mm

Order Information

L-KLS2-150-9.50-XXP-4 S XX



GENERAL TOLERANCE		ANGLE TOLERANCE		PROJECTION	Description:	
.X	±0.60	.X	±5°	UNITS	Screw CONN TERM BLOCK 9.50MM	
.X	±0.38	.X	±3°	SHEET SIZE		A4
.XX	±0.25	.XX	±2°	KLS P/N:		KLS2-150-9.50-XXP-4S

Draw by: Date	2015-09-01
Check by: Date	2015-09-15
SCALE	SHEET OF

KLS ELECTRONIC CO., LTD.