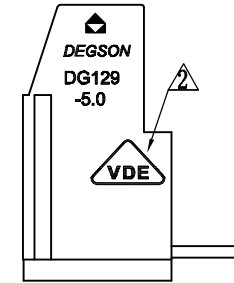
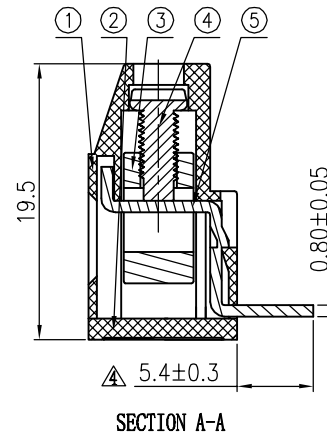
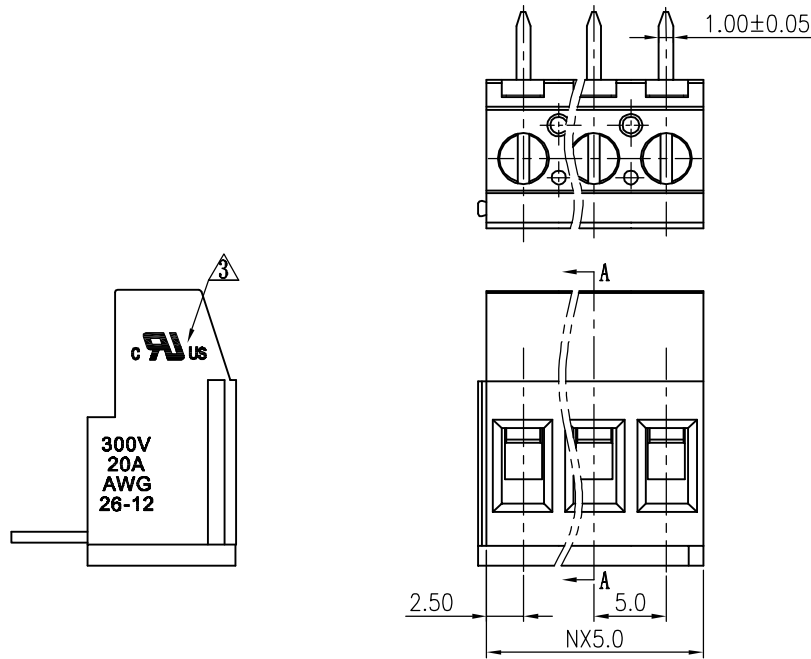
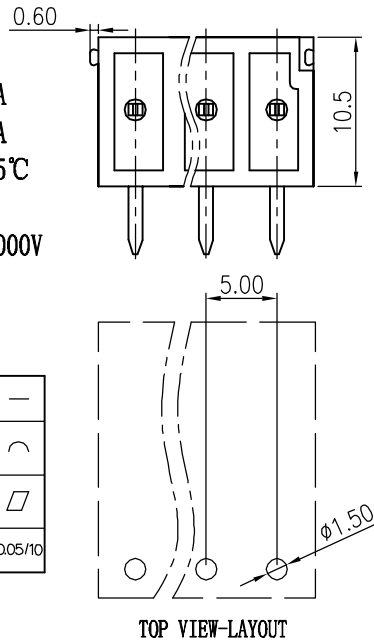


REVISION RECORD				
REV	ECD	DESCRIPTION	DRFT	DATE
△		Drawing Revise	Haoyh	06/12/06
△		增加VDE刻字	C SX	01/12/07
△		UL标志中去掉小R	C SX	08/09/07
△		修改出脚尺寸5.1为5.4	LJH	04/25/09



Notes:

1. Pitch:5.0mm ,Poles:2-XXP
2. Rated voltage/current:UL 300V/20A
VDE 250V/20A
3. Operation temperatures:-40°C~+105°C
4. Withstanding Voltage:AC2000V/1Min
5. Insulation Resistance:5000MΩ/DC1000V
6. Wire Range:26~12AWG, 0.5-2.5mm²
7. Max. Torque Value:M3, 5.1kgf.cm
8. Undimensioned Tolerances:



Pitch range in mm		Nominal dimension range in mm						—
	over 6	over 10	over 30	over 60	over 100	over 150	∩	
to 6	to 10	to 24	to 30	to 60	to 100	to 150	◇	
±0.10	±0.15	±0.25	±0.2	±0.3	±0.5	±0.7	±1.0	
							0.05/10	

ITEM	NAME OF PART	NO. OF PART	Q'TY	MATERIAL	NOTES
5	DG129-Pin header	4034B00010 (H)	XX	Barss	SnCe
4	DG129-Screws-M3	S000001430 (H)	XX	Steel	Cr ³⁺ Zn
3	DG129-Contact	X000000200 (H)	XX	Brass	Ni plated
2	DG129-5.0 Cover	4029C0YXXA (H)	1	PA66	UL94V-0
1	DG129-5.0 Housing	4034A0YXXA (H)	1	PA66	UL94V-0

DETAILED LISTS		DATE 10/04/05*		NAME	
MM	±	CHKD	DATE	DEGSON® 宁波高正电子有限公司	
0.0 ±	±	MFD	DATE	DEGSON ELECTRONICS CO., LTD	
0.00 ±	±	APPVL	DATE	NAME	
0.00 ±	±	MATERIAL :		DG129R-5.0-XXP-1Y-00A(H)	
ANGLES ± 1°		G.E :		DRAWING NO. DG129R-5.0-E02	
THIRD ANGLE PROJECTION		FINISH:		/PART NO.	
SCALE : 1:1		DO NOT SCALE DRAWING		SIZE A3	REV T4
		SHEET 1		04/25/09*	
		OF 1			