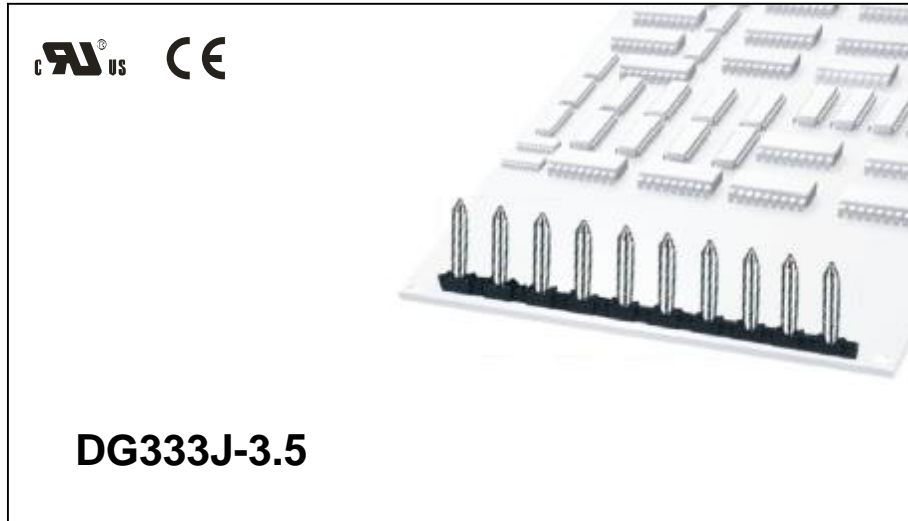


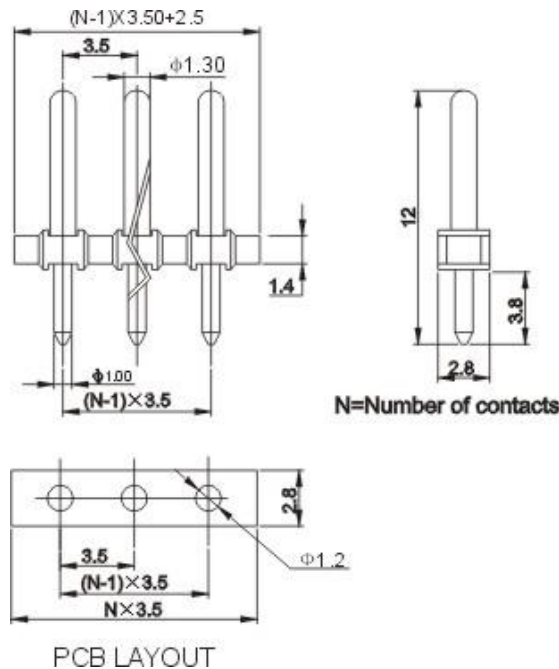


# DEGSON ELECTRONICS CO., LTD.

## Product Specification



<b>APPROVAL</b>		
<b>Electrical</b>		
Standard	<b>UL</b>	<b>IEC</b>
Rated voltage	300V	250V
Rated current	8A	8A
Withstanding voltage	AC2000V/1Min	
<b>Ambient temperature</b>	-30°C ~ +120 °C	
<b>Dimensions</b>		
Pitch	3.5mm (.138" )	
Poles	2P, 3P-24P	
<b>Mechanical</b>		
Housing	PA66+25%GF, UL94V-0	
Pin header	Brass, Tin plated	



### HOW TO ORDER :

**DG333J-3.5** -   **P** -   - 

X	X	X
Customer Request		

**Series number** | **No. of pole** | **Color**

1	Single pitch
2	Double pitch

1	Grey	4	Green	7	Trans Parent
2	Blue	5	Orange	8	Yellow
3	Black	6	Red	9	White

 mm (INCH)	 <b>DEGSON ELECTRONICS CO., LTD.</b>
 THROANGLE PROJECTION	<b>NAME</b> <b>DG333J-3.5</b>